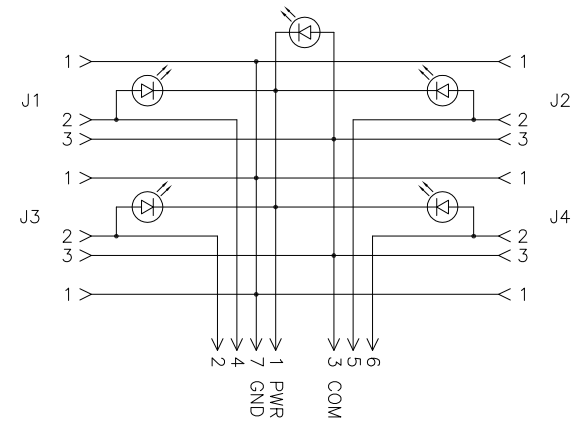
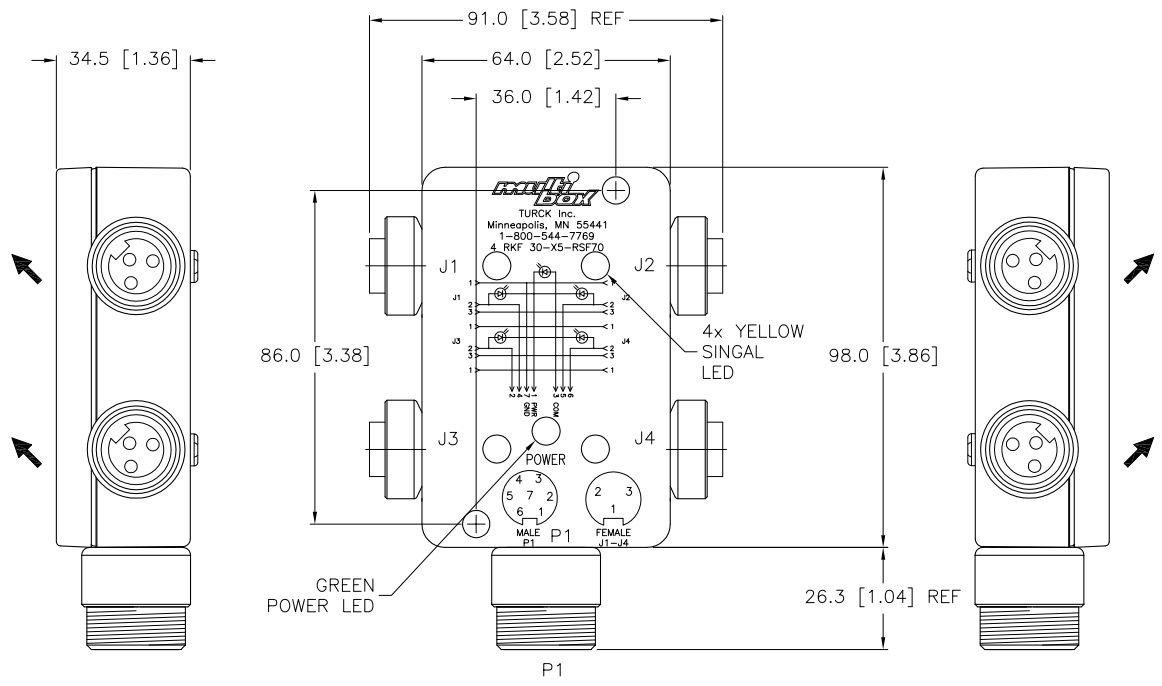


SPECIFICATIONS	
MATING PLUG CABLE	RKM 76-*M
HOUSING MATERIAL	ALUMINUM ALLOY
HOUSING FINISH/COLOR	EPOXY/BLACK
CONTACT CARRIERS	TPU
CONTACTS	BRASS/GOLD
DISCONNECTS	BRASS/NICKEL
OPERATING VOLTAGE	40-120 VAC
OPERATING CURRENT	4.0 A PER PORT, 9.0 A TOTAL
PROTECTION CLASS to DIN 40050	IP 67 ONLY WHEN RKM 76-*M CORDSET AND ALL RECEPTACLES ARE COVERED WITH PLUGS OR CONNECTED
OPERATING TEMPERATURE	-30°C to 105°C (-22°F to 221°F)



WIRING DIAGRAM

SOURCE DRAWING - FOR REFERENCE ONLY

NOTES:

1. USE MATING CORDSET RKM 76-\*M (\* = CABLE LENGTH IN METERS).
2. CLEARANCE HOLE FOR 1/4-20 MOUNTING SCREWS (NOT SUPPLIED).
3. AT 24 VAC THE LEDS MAY NOT BE AS BRIGHT AS NORMAL.

↑ = KEY ORIENTATION

RELATED DOCUMENTS 1. 2. 3. 4.	3RD ANGLE PROJECTION 	THIS DRAWING IS CONFIDENTIAL AND THE PROPERTY OF TURCK INC. USE OF THIS DOCUMENT WITHOUT WRITTEN PERMISSION IS PROHIBITED.		3000 CAMPUS DRIVE MINNEAPOLIS, MN 55441 1-800-544-7769 (763) 553-7300 (763) 553-0708 fax turck.com	
	MATERIAL  SEE SPECIFICATIONS	DRFT RWC DSGN	DATE 05/31/06 SCALE 1=2.0	DESCRIPTION 4 RKF 30-X5-RSF70	
FINISH  SEE SPECIFICATIONS	ALL DIMENSIONS DISPLAYED ON THIS DRAWING ARE FOR REFERENCE ONLY	UNIT OF MEASUREMENT <b>MILLIMETER [ INCH ]</b>		IDENTIFICATION NO. U0949-25	REV D
D DRAWING PROCESSED AS PART OF ECO 33971	CBM 04/07/11 33971	DO NOT SCALE THIS DRAWING		FILE: U0949-25	SHEET 1 OF 1